

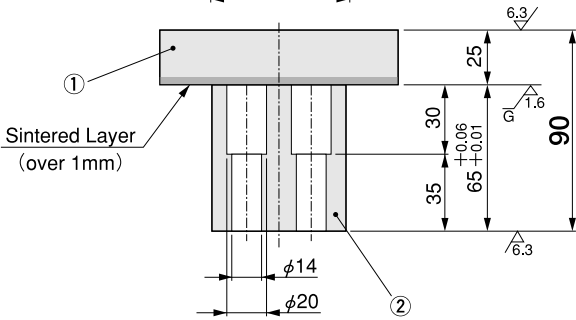
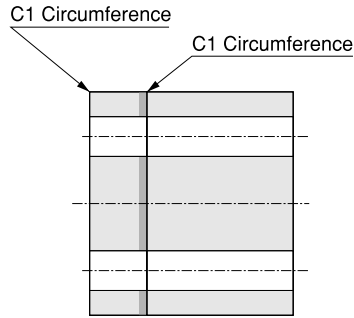
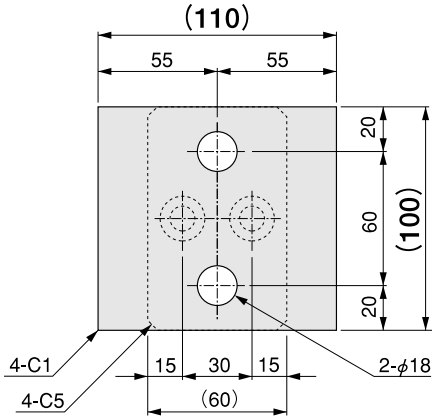
**Material**

- ① OILES#2000 (Sintered Alloy) +S45C
- ② SS400

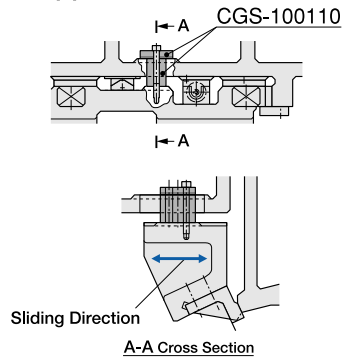
**ORDERING METHOD**

**CGS - 100110 N**  
Parts No.

Note) Screws are not included.



**Application**



Parts No.	<b>CAD</b>
<b>CGS-100110N</b>	