



Material
S45C HQI (Induction Hardening)

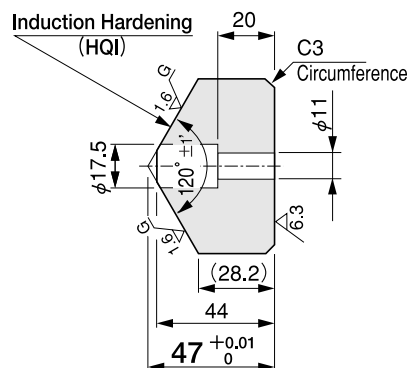
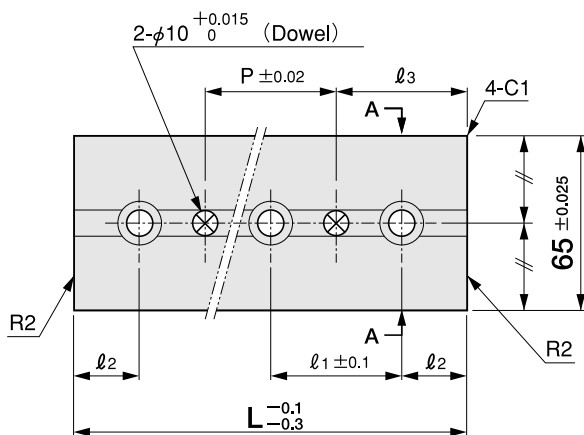
ORDERING METHOD

MBS - 200

Parts No.

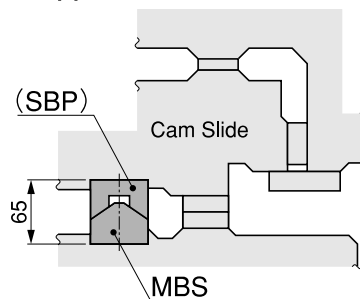
EX:L200mm

- Use this item in combination with the SBP (Cam Bottom Plate).
- The height after combining is 65mm.
- For hardening, the hardness is HRC 45 or over.
- The operation direction is the length (L) direction.



A-A Cross Section

● Application



Parts No.	L	l ₁	l ₂	l ₃	P	Holes
MBS-100	100	60	20	40	20	2
MBS-150	150				50	3
MBS-200	200	50	25	50	100	4
MBS-250	250				150	5
MBS-300	300				200	6

CAD