

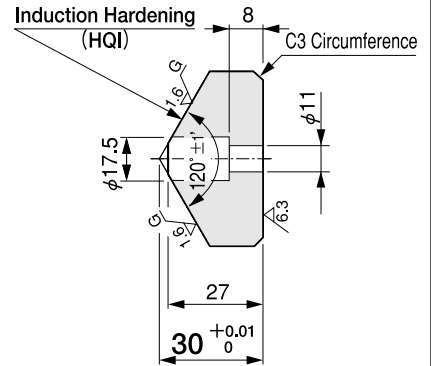
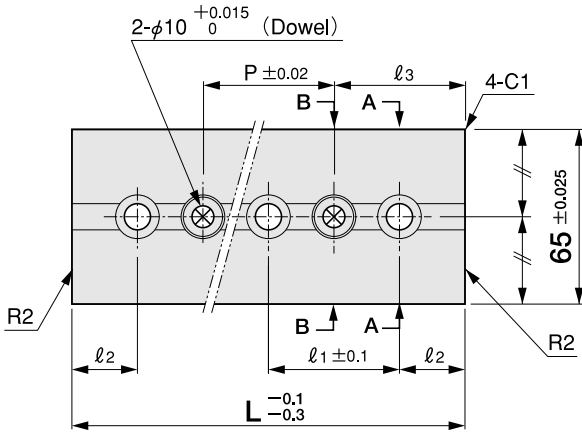
Material
S45C HQI (Induction Hardening)

ORDERING METHOD

MBST - 200
Parts No.

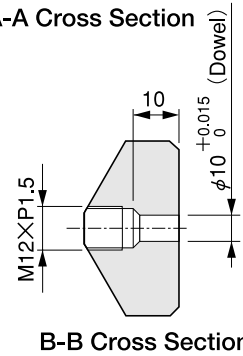
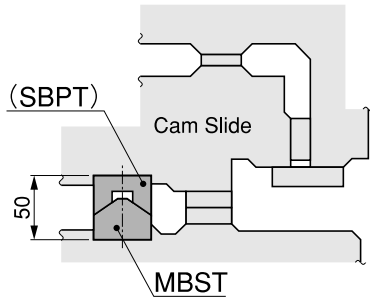
EX:L200mm

- Use this item in combination with the SBPT (Cam Bottom Plate).
- The height after combining is 50mm.
- For hardening, the hardness is HRC 45 or over.
- The operation direction is the length (L) direction.



A-A Cross Section

Application



B-B Cross Section

Parts No.	L	l ₁	l ₂	l ₃	P	Holes
MBST-100	100	60	20	40	20	
MBST-125	125	75			25	2
MBST-150	150	100			50	
MBST-200	200	75	25	50	100	
MBST-250	250	100			150	3
MBST-300	300	125			200	

CAD