

Material
S45C+OILES#350 (Nitriding)

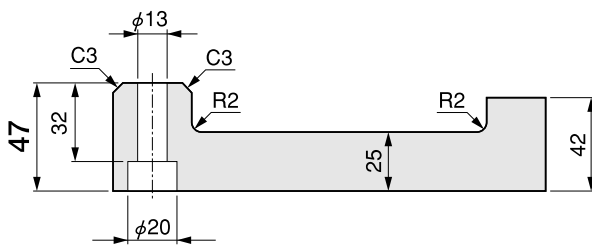
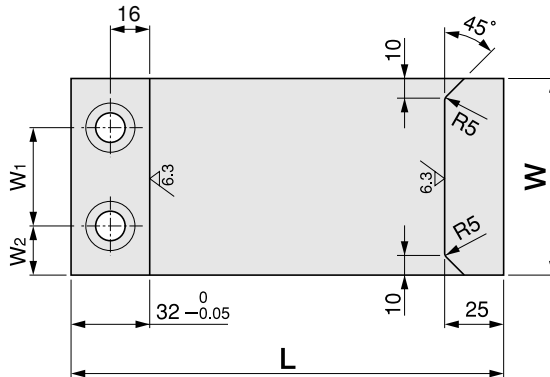
ORDERING METHOD

MRP - 80171

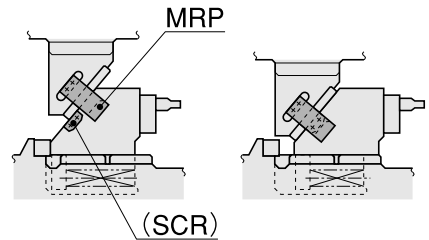
Parts No.

EX:W80mm×L171mm

●Use this item in combination with the SCR (Cam Positive Return Plate).



Application



When a slide begins to move

Home position

Parts No.	W	L	W1	W2
MRP-60171	60	171	30	15
MRP-80171	80		40	20
MRP-80191			191	

CAD