

**Material**  
OILES#500SP (High tension brass with graphite plugs.)

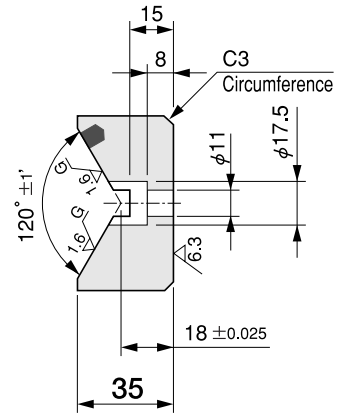
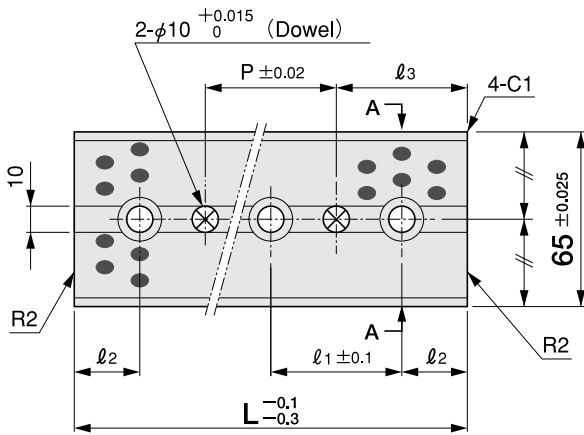
**ORDERING METHOD**

**SBP - 200**

Parts No.

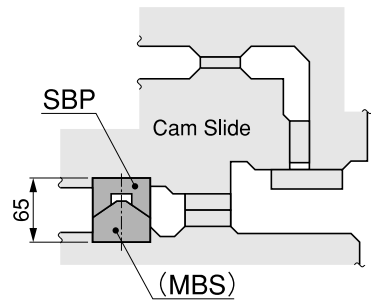
EX:L200mm

- Use this item in combination with the MBS (Cam Bottom Steel).
- The height after combining is 65mm.
- The operation direction is the length (L) direction.



A-A Cross Section

● Application



| Parts No.      | L   | l <sub>1</sub> | l <sub>2</sub> | l <sub>3</sub> | P   | Holes |
|----------------|-----|----------------|----------------|----------------|-----|-------|
| <b>SBP-100</b> | 100 | 60             | 20             | 40             | 20  | 2     |
| <b>SBP-150</b> | 150 | 50             | 25             | 50             | 50  | 3     |
| <b>SBP-200</b> | 200 |                |                |                | 100 | 4     |
| <b>SBP-250</b> | 250 |                |                |                | 150 | 5     |
| <b>SBP-300</b> | 300 |                |                |                | 200 | 6     |

**CAD**