

**Material**  
OILES#500SP (High tension brass with graphite plugs.)

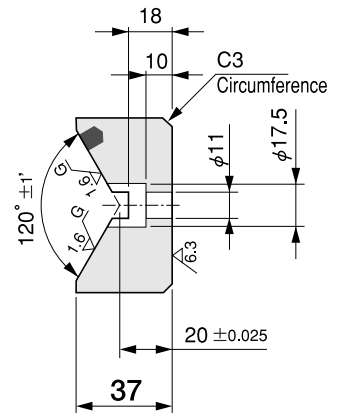
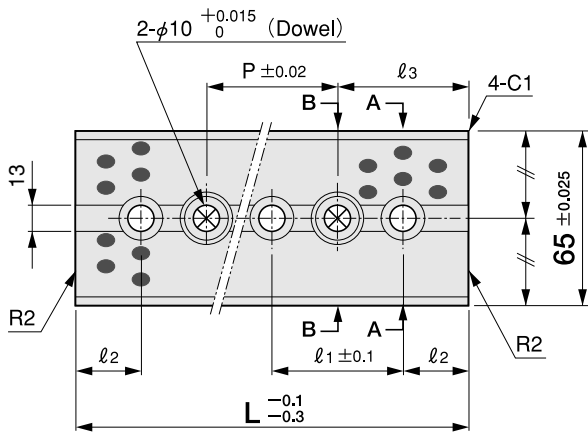
**ORDERING METHOD**

**SBPT - 200**

Parts No.

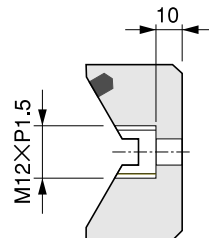
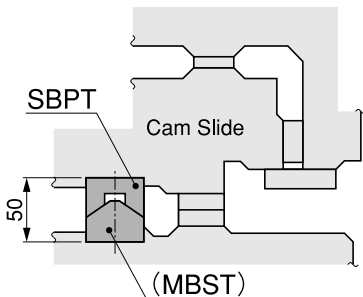
EX:L200mm

- Use this item in combination with the MBST (Cam Bottom Steel).
- The height after combining is 50mm.
- The operation direction is the length (L) direction.



A-A Cross Section

● Application



B-B Cross Section

Parts No.	L	ℓ1	ℓ2	ℓ3	P	Holes
<b>SBPT-100</b>	100	60	20	40	20	
<b>SBPT-125</b>	125	75			25	2
<b>SBPT-150</b>	150	100			50	
<b>SBPT-200</b>	200	75	25	50	100	3
<b>SBPT-250</b>	250	100			150	
<b>SBPT-300</b>	300	125			200	

**CAD**