



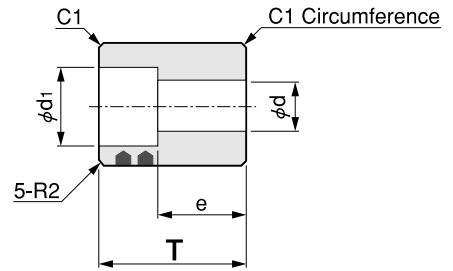
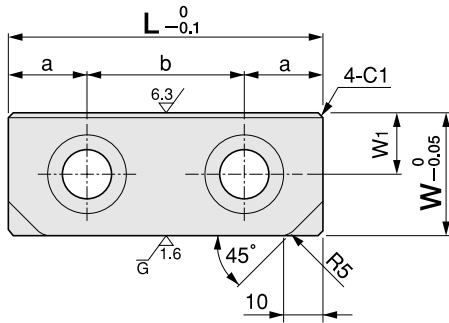
Material
OILES#500SP (High tension brass with graphite plugs.)

ORDERING METHOD

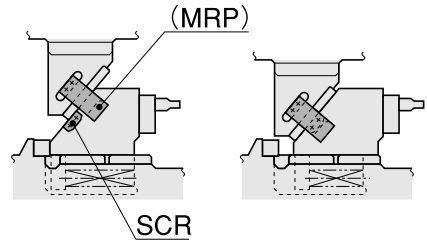
SCR - 3060
Parts No.

EX:T30mmXL60mm

● Use this item in combination with the MRP (Cam Positive Return Follower).



● **Application**



When a slide begins to move

Home position

Parts No.	T	L	W	W ₁	a	b	φd	φd ₁	e
SCR-3060	30	60	25	11	15	30	11	17.5	18
SCR-3880	38	80	32	16	20	40	13	20	23

CAD