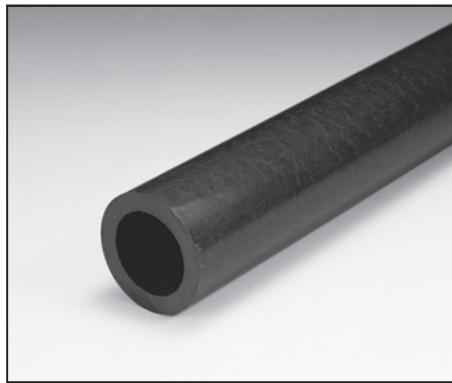


80S

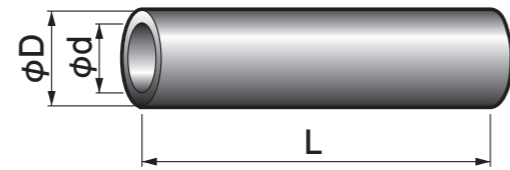
Oiles 80 Pipe Stock



Specify Part No. by required I.D. and O.D.
(e.g.) I.D. is 48.5mm and O.D. is 62.5mm.

80S - 5060

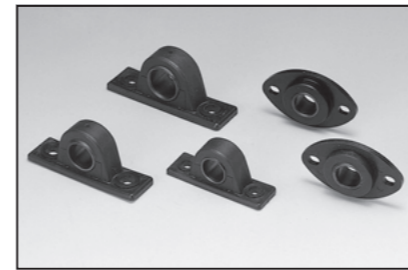
Part No.



Part No.	I.D.		O.D.		Length L
	φd	Tolerance	φD	Tolerance	
80S-2030	19	±0.4	31.5	±0.4	500
80S-2535	24	±0.4	36.5	±0.4	500
80S-3040	28.5	±0.5	42	±0.5	500
80S-3545	34	±0.5	47	±0.5	500
80S-3550	34	±0.5	52	±0.5	500
80S-4055	38	±0.5	56.5	±0.5	500
80S-4060	38	±0.5	62.5	±0.5	500
80S-4560	43	±0.5	62.5	±0.5	500
80S-4565	43	±0.5	67	±0.6	500
80S-5060	48.5	±0.5	62.5	±0.5	500
80S-5065	48.5	±0.5	67	±0.6	500
80S-5070	48.5	±0.5	72.5	±0.6	500
80S-5565	53.5	±0.6	67.5	±0.6	500
80S-5570	53.5	±0.6	72.5	±0.6	500
80S-5575	53.5	±0.6	78	±0.6	500
80S-6075	58.5	±0.6	78	±0.6	500

Oiles Pillow 80

Unit bearings



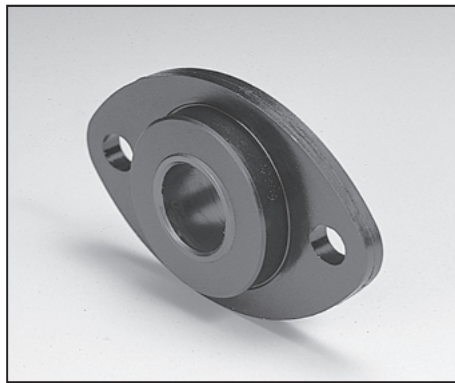
Feature

- Has the same features as 80.
- Demonstrates superior sliding performance in sliding motion.
- The whole bearing unit is made of plastic. Small, lightweight, and superior corrosion resistance.
- The standard products are available in various sizes.

Service range

Operating condition	Intermittent	Continuous
Service temperature range °C	-20~+60	
Allowable max. pressure P N/mm ² (kgf/cm ²)	2.0 {21}	
Allowable max. velocity V m/s (m/min)	0.40 {24}	0.25 {15}
Allowable max. PV value N/mm ² · m/s (kgf/cm ² · m/min)	0.50 {306}	0.30 {184}

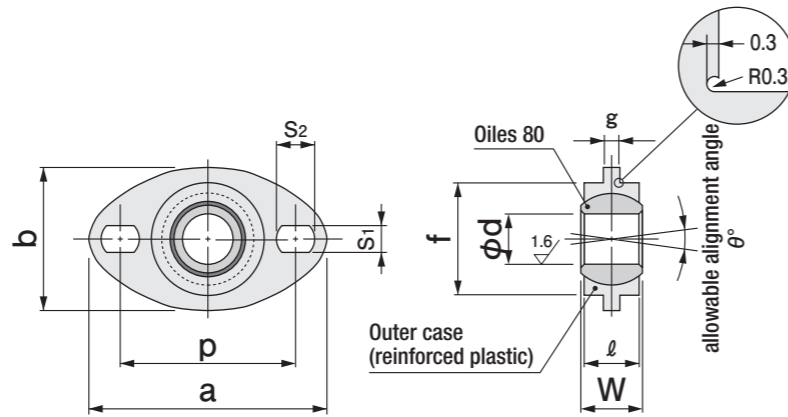
80FL Oiles Pillow 80 Flange Units



Specify Part No. by required I.D.
(e.g.) Diameter is 12mm.

80FL - 12
Part No.

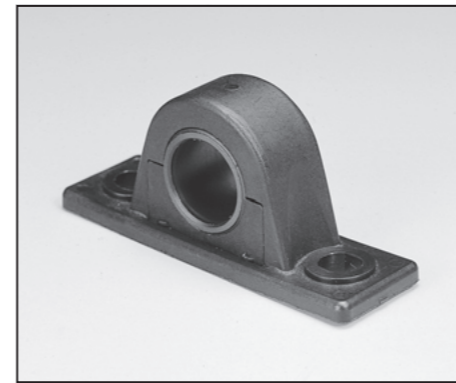
- The recommended shaft dimension and finishing grade are h7 and Rz3.2µm or less, respectively. The shaft dimension of e7 is recommended if used at the temperature of 0°C (32°F) or less.
- Apply grease or oil to the sliding surface.
- Use bolts and washers to mount the product.
- The allowable tightening torques shown in parentheses are the values if no washer is used.
- Find the surface pressure from the pressure receiving area ($\phi d \times W$), refer to the service ranges shown on page 78, find the allowable load, and choose the proper size.



Part No.	I.D.		Outer dimensions						Mounting hole			θ°	Bolt size	Tightening torque (kgf·cm)	
	ϕd	Tolerance	a	b	W	f	Tolerance	g	l	p	S ₁				S ₂
80FL-06	6	+0.068 +0.020	38	20	7	14	0 -0.070	2.5	6	26	4.5	5	13	M4	20 (10)
80FL-08	8	+0.083 +0.025	42	24	10	19	0 -0.084	2.5	9	30	4.5	5	10	M4	25 (15)
80FL-10	10	+0.083 +0.025	48	28	11	22	0 -0.084	3	10	35	5.5	6	8	M5	35 (20)
80FL-12	12	+0.102 +0.032	56	34	13	27	0 -0.100	3	12	42	6.5	7	7	M6	55 (40)
80FL-15	15	+0.102 +0.032	64	40	16	31	0 -0.100	4	15	48	6.5	7.5	6	M6	90 (55)
80FL-17	17	+0.124 +0.040	75	45	18	35	0 -0.160	4.5	16	56	8.5	9.5	11	M8	110 (70)
80FL-20	20	+0.124 +0.040	82	50	20	38	0 -0.160	5	18	63	8.5	10	9	M8	140 (90)

▲ The dimensional tolerances are the values measured at +25°C.

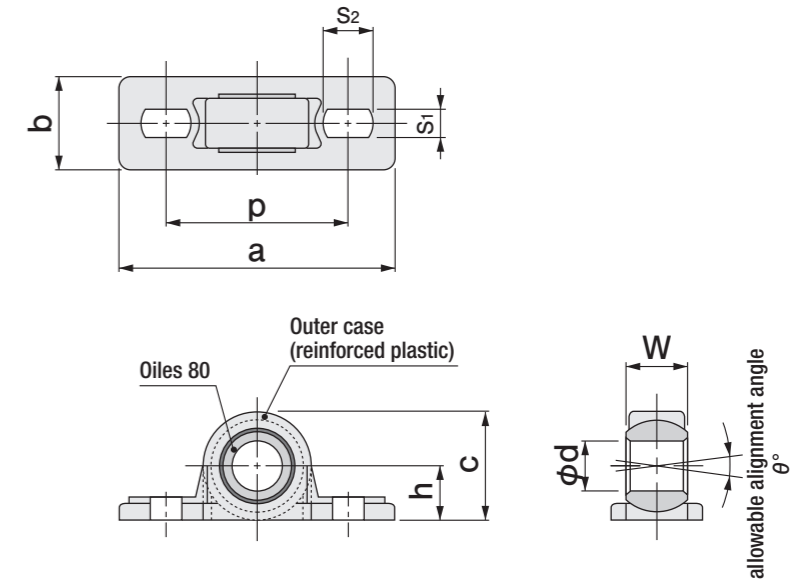
80UP Oiles Pillow 80 Pillow Type Units



Specify Part No. by required I.D.
(e.g.) Diameter is 12mm.

80UP - 12
Part No.

- The recommended shaft dimension and finishing grade are h7 and Rz3.2µm or less, respectively. The shaft dimension of e7 is recommended if used at the temperature of 0°C (32°F) or less.
- Apply grease or oil to the sliding surface.
- Use bolts and washers to mount the product.
- The allowable tightening torques shown in parentheses are the values if no washer is used.
- Find the surface pressure from the pressure receiving area ($\phi d \times W$), refer to the service ranges shown on page 78, find the allowable load, and choose the proper size.



Part No.	I.D.		Outer dimensions					Form			θ°	Bolt size	Tightening torque (kgf·cm)
	ϕd	Tolerance	a	b	W	h	c	p	S ₁	S ₂			
80UP-06	6	+0.068 +0.020	39	12	7	7	14	26	4.5	5	13	M4	20 (15)
80UP-08	8	+0.083 +0.025	45	15	10	9	18	30	4.5	5	10	M4	30 (20)
80UP-10	10	+0.083 +0.025	53	16	11	11	22	36	5.5	6	8	M5	45 (30)
80UP-12	12	+0.102 +0.032	60	18	13	13	26	42	6.5	7	7	M6	75 (50)
80UP-15	15	+0.102 +0.032	67	21	16	15	30	48	6.5	7.5	6	M6	90 (60)
80UP-17	17	+0.124 +0.040	80	24	18	17	34	56	8.5	9.5	11	M8	120 (75)
80UP-20	20	+0.124 +0.040	88	26	20	19	38	63	8.5	10	9	M8	150 (90)

▲ The dimensional tolerances are the values measured at +25°C.