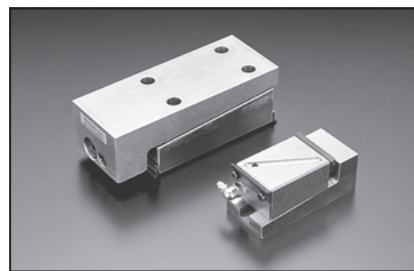


# Oiles Shoe Units Unit bearings



The Oiles Shoe Units are unit bearings developed as shoe units of movable platens for injection molding machines.



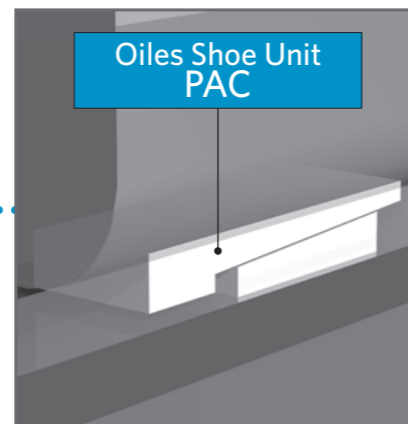
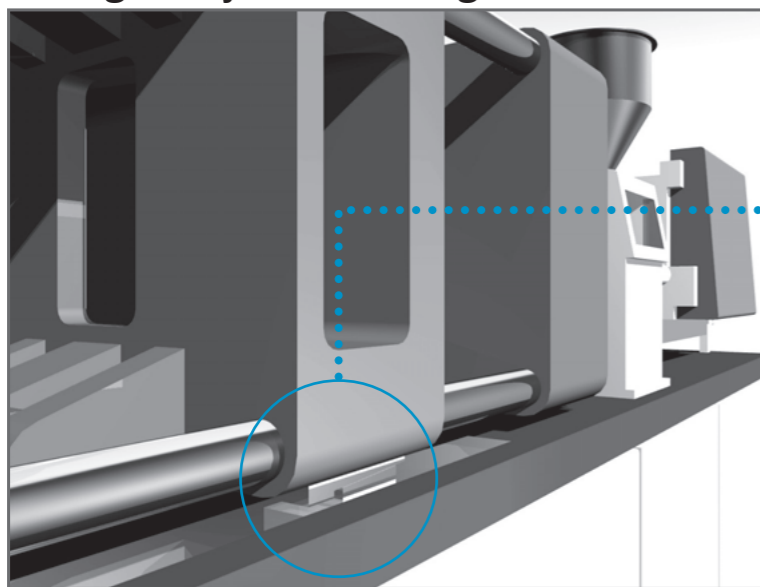
## Feature

- Usable as not only movable platens but also various types of shims and spacers.
- The sliding material is made of Oiles 2000 featuring superior wear resistance.
- The slide seals are attached to the slide plates, eliminating troublesome adjustment of the slide seals after height adjustment.
- The height is adjustable in  $\pm 0.25$  to  $\pm 0.7$  mm range.

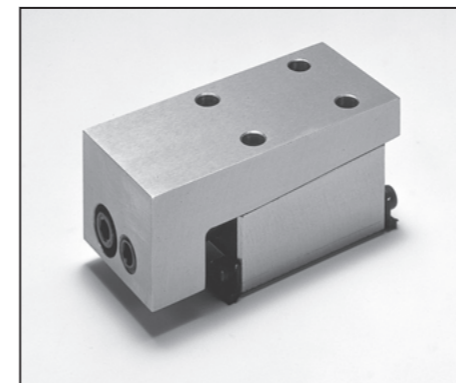
Part No.	Height-adjustable range (mm)	Sliding surface length (mm)	Sliding area (cm <sup>2</sup> )	Load (Note) (N/2pc) {kgf/2pc}	Assumed mold clamping force (kN) {ton}
PAC30-90	$\pm 0.25$	55	16.5	6,470 { 660}	830 or less { 85 or less}
PAC40-100	$\pm 0.35$	55	22	8,630 { 880}	830~ 980 { 85~ 100}
PAC50-150	$\pm 0.35$	100	50	19,600 { 2,000}	980~ 2,450 {100~ 250}
PAC60-160	$\pm 0.35$	110	66	25,900 { 2,640}	2,450~ 3,920 {250~ 400}
PAC75-180	$\pm 0.35$	130	97.5	38,200 { 3,900}	3,920~ 5,880 {400~ 600}
PAC100-250	$\pm 0.7$	250	250	98,100 {10,000}	5,880~ 7,850 {600~ 800}
PAC125-250	$\pm 0.7$	250	312.5	122,600 {12,500}	7,840~ 12,750 {800~ 1,300}
PAC150-300	$\pm 0.7$	300	450	176,500 {18,000}	15,690 or less {1,600 or less}

(Note) Load is based on the design surface pressure of 1.96N/mm<sup>2</sup> {20kgf/cm<sup>2</sup>}.

## Usage in Injection molding machine.



# PAC Oiles Shoe Units

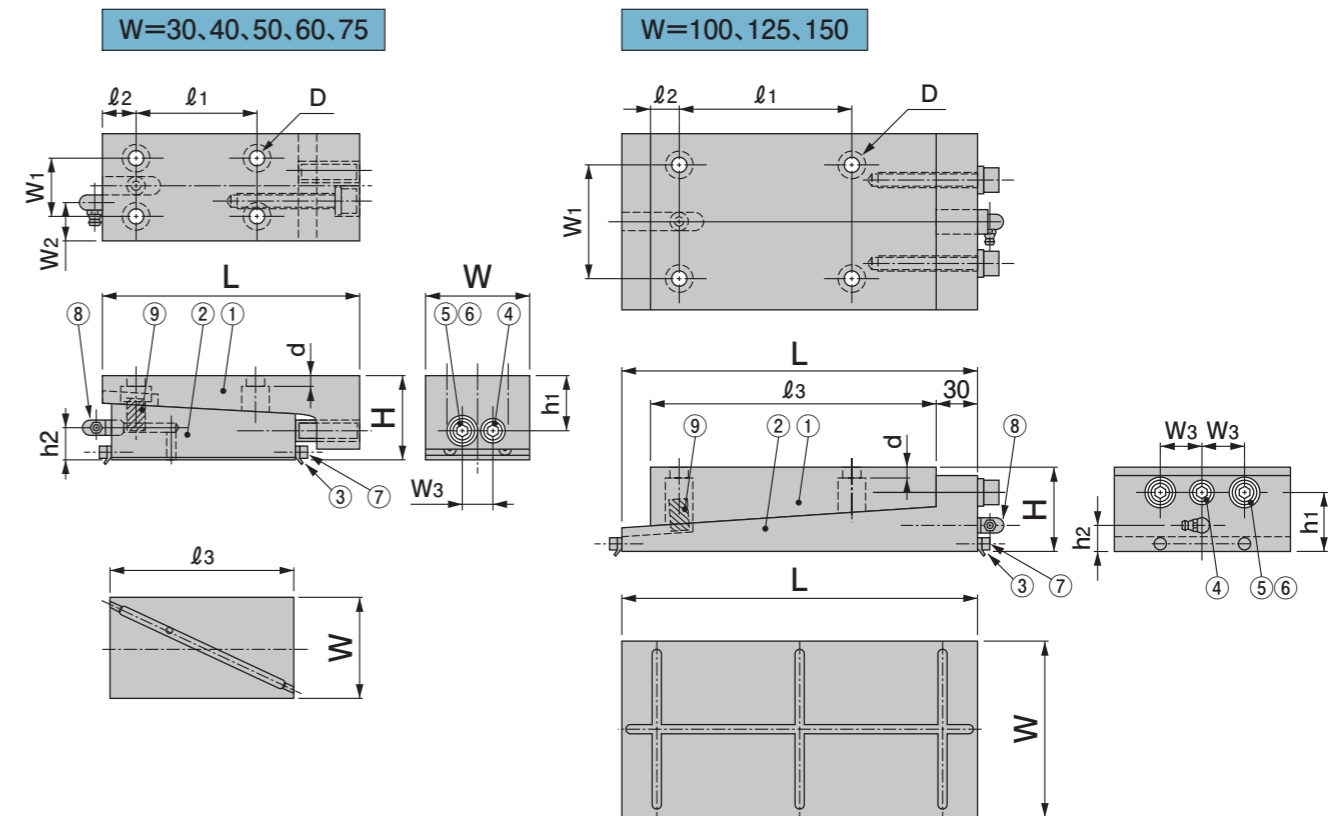


Specify Part No. by required size.  
(e.g.) Width is 50mm.

## PAC 50 - 150 Part No.

	Part name	Material
①	Table	SS400
②	Slide plate	2000
③	Slide seal*	NBR+SPCC
④	Adjustable push bolt	SCM435
⑤	Adjustable pull bolt	SCM435
⑥	Spring washers	SCM435
⑦	Set screw for seal*	SCM435
⑧	Grease nipple	S15C (C-PT1/8)
⑨	Spring pin	S60CM

\*PAC30-90 does not have a slide seal and set screw for seal.



Part No.	Width		Length		Height	D	W <sub>1</sub>	W <sub>2</sub>	W <sub>3</sub>	l <sub>1</sub>	l <sub>2</sub>	l <sub>3</sub>	h <sub>1</sub>	h <sub>2</sub>	d	Adjustable bolts	
	W	L	H	④	⑤												
PAC30-90	30	80	30	(M6)	15	6.5	13	25	30	55	20.5	7.5	4.5	M 8×25	M 6×35		
PAC40-100	40	90	40	(M6)	25	8	13	35	15	55	23.5	18	5	M10×30	M 6×40		
PAC50-150	50	140	45	(M8)	30	15	16	65	20	100	28	20	5	M12×35	M 8×50		
PAC60-160	60	150	50	(M10)	35	20	17	70	20	110	32	20	6	M12×35	M 8×50		
PAC75-180	75	170	50	(M10)	45	25	17	85	25	130	33	20	6	M12×35	M 8×50		
PAC100-250	100	250	60	(M12)	60	—	25	120	20	200	43	20	10	M16×40	M10×70		
PAC125-250	125	250	60	(M12)	80	—	30	120	20	200	43	20	10	M16×40	M10×70		
PAC150-300	150	300	70	(M16)	100	—	40	120	40	250	50	20	10	M20×40	M12×70		